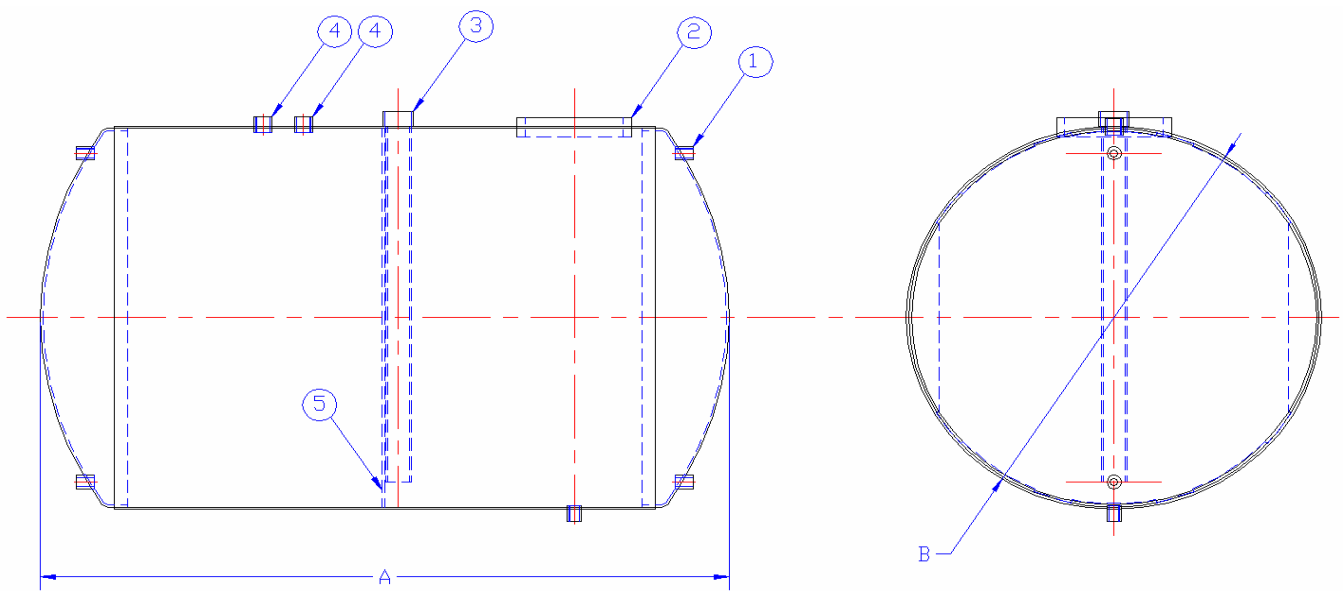




ALL METAL MANUFACTURING

# ALUMINUM WATER TANK



- 1. 1-1/4" COUPLING
- 2. FILLER NECK
- 3. DRAW TUBE

- 4. 1" COUPLING
- 5. BAFFLE

ALL METAL PART NUMBER	CAPACITY	DIMENSIONS (in)	
		A	B
AM4530T	120 GAL	50-7/8	30-11/16

**NOTES:**  
Material specification available upon request