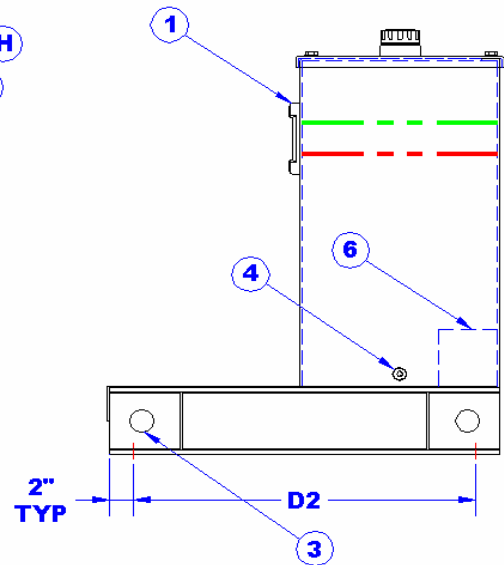
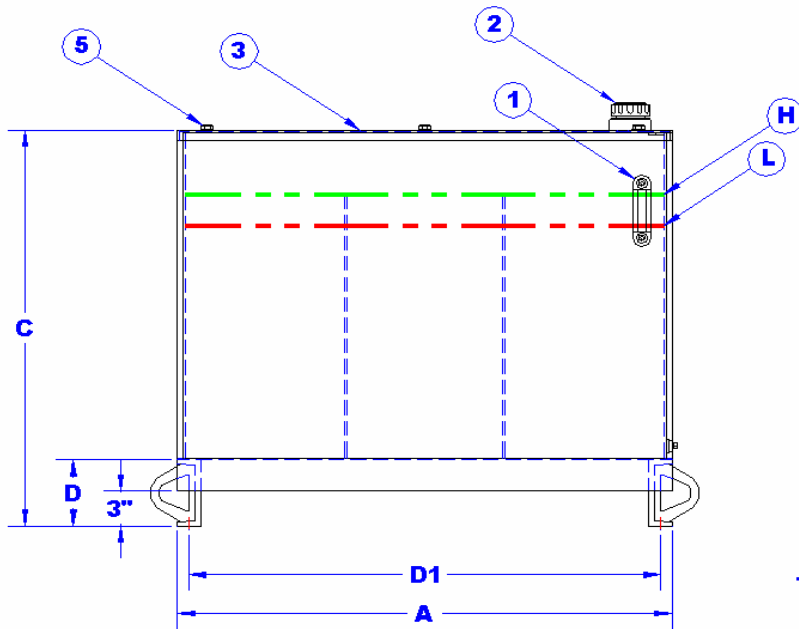
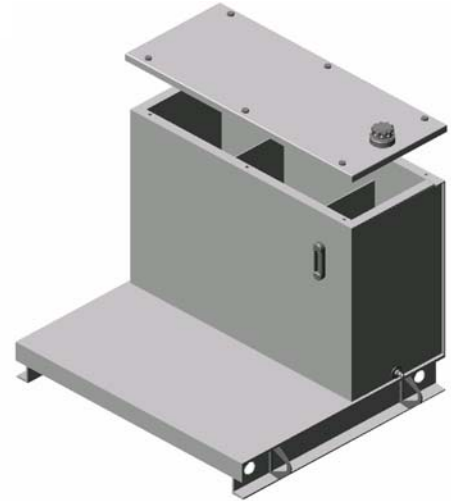
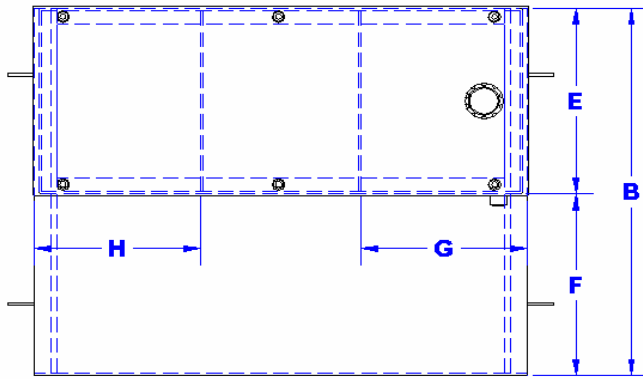


L-SHAPED RESERVOIR TANK



FEATURES:

- 1. (1) OIL LEVEL & TEMP. GAUGE
- 2. (1) FILLER BREATHER
- 3. (1) COVER WITH GASKET
- 4. (1) 3/4" NPT DRAIN
- 5. (6) 3/8" BOLTS
- 6. BAFFLES WITH CUTOUT FOR CIRCULATION
- 7. EXTERIOR COATED WITH DURABLE POWDERCOAT PRIMER

RATED CAPACITY (GAL)	PART NUMBER	TANK DIMENSIONS (in)									ACTUAL CAPACITY		MOUNTING CENTER		SHIPPING WEIGHT (lbs)
		A	B	C	D	E	F	G	H	HIGH (H)	LOW (L)	D1±1/8"	D2±1/8"		
										GAL	GAL				
30	AM0030LT	36	30 7/16	26 15/16	6	13 3/4	16 11/16	12	12	44	38	34 3/4	26 7/16	300	
45	AM0045LT	42	32 1/16	31 9/16	6	13 15/16	18 1/8	14	14	57	50	40 3/4	28 1/16	335	
60	AM0060LT	42	38 1/16	33 9/16	6	16 15/16	21 1/8	14	14	69	61	40 3/4	34 1/16	375	
80	AM0080LT	48	38 3/8	36 1/16	6	16 3/8	22	16	16	89	81	46 3/4	34 3/8	699	

NOTES:

LENGTH MEASUREMENTS IN INCHES

1. (1) OIL LEVEL & TEMP. GAUGE
2. (1) FILLER BREATHER
3. (1) COVER WITH GASKET
4. (1) 3/4" NPT DRAIN

5. (6) 3/8" BOLTS
6. BAFFLES WITH CUTOUT FOR CIRCULATION
7. EXTERIOR COATED WITH DURABLE POWDERCOAT PRIMER

15% of rated	sight gauge high level
34.5	22
69	24