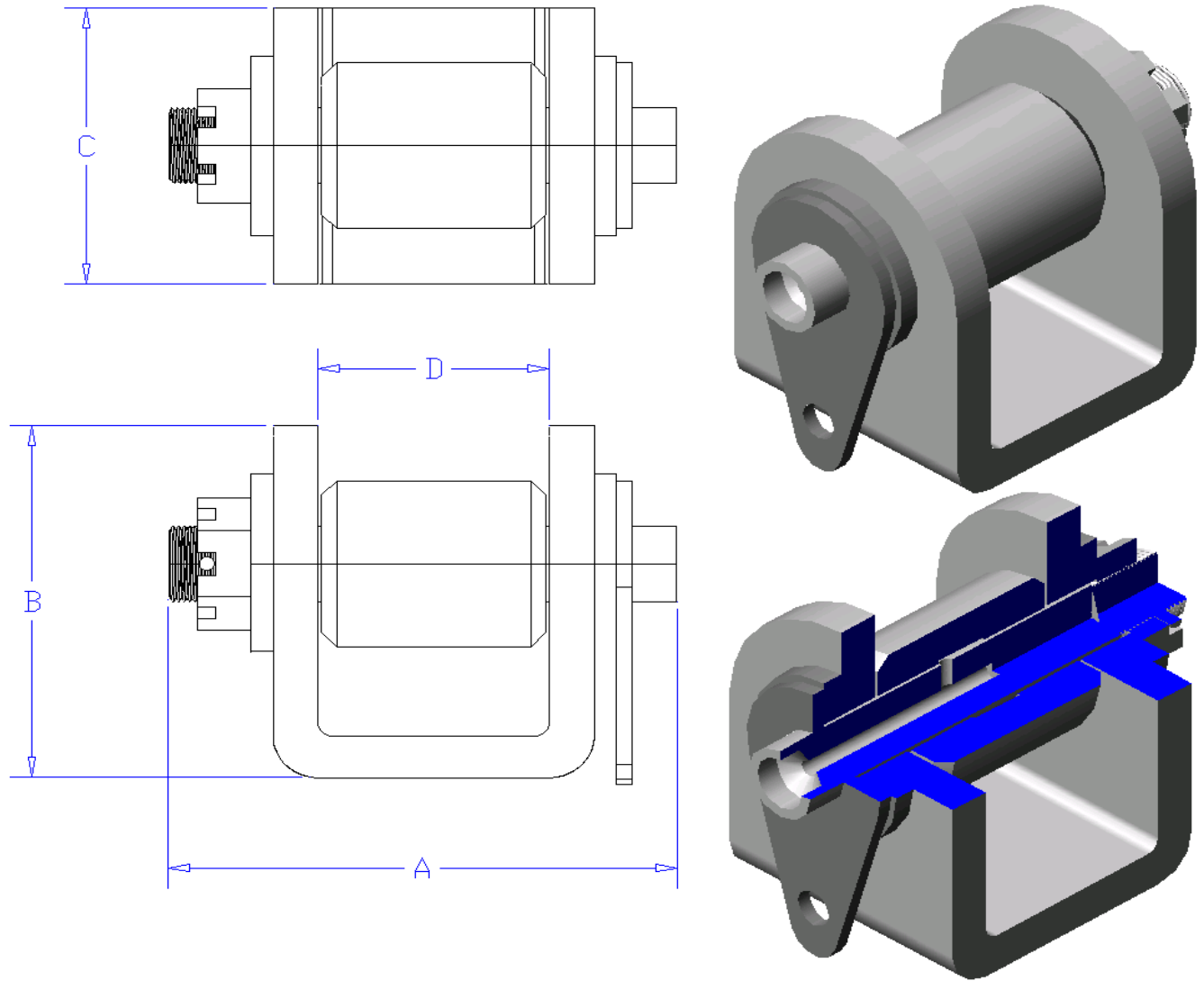


TIPPING HINGE



METAL PART NUMBER	DIMENSIONS (in)			
	A	B	C	D
AM001TH	8.5	6.375	5	3.875

NOTES:
Material specification available upon request