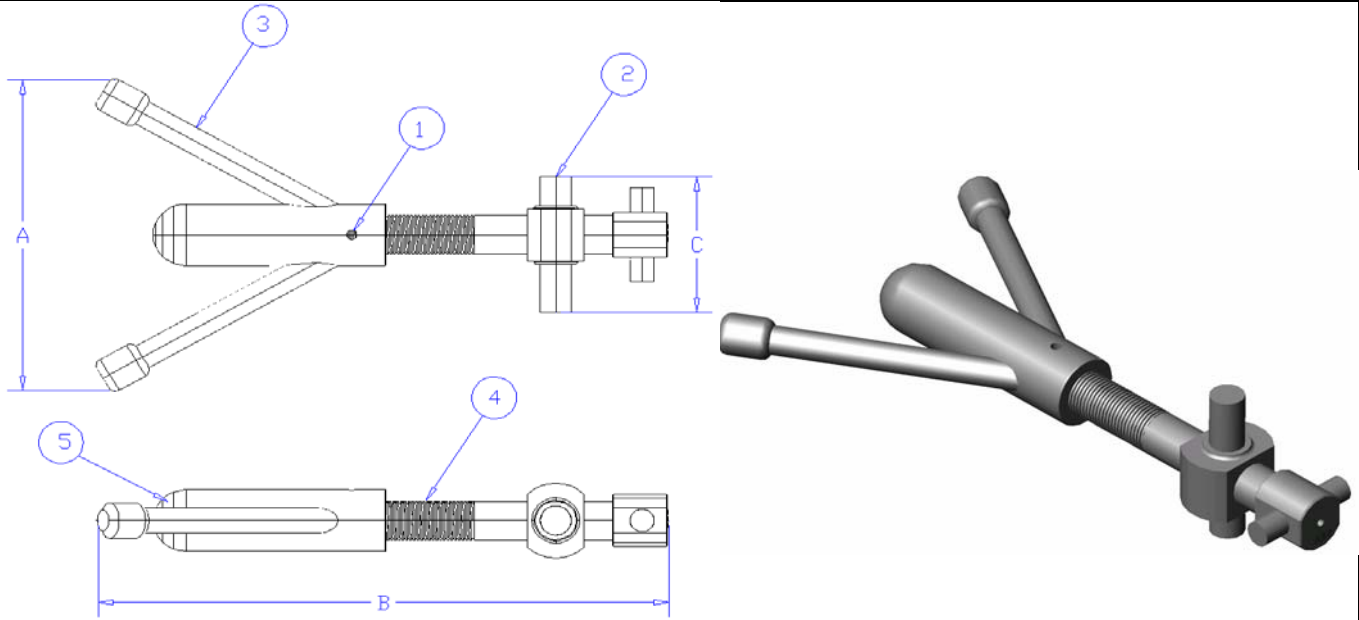




ALL METAL MANUFACTURING

DOOR LOCK ASSEMBLY



FEATURES:

1. 1/8 NPT for grease fitting
2. Pinwheel slipnut
3. Long handle for leverage
4. ACME Thread 6TPI

ALL METAL PART NUMBER	DIMENSIONS (in)		
	A	B	C
AM001PW	12	20	5.25

Notes:

Material Specification available upon request