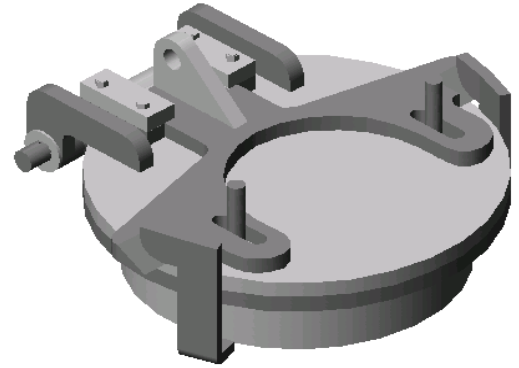
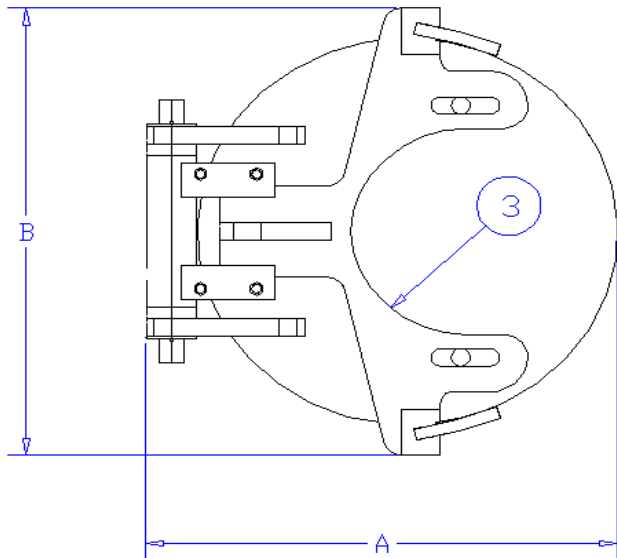
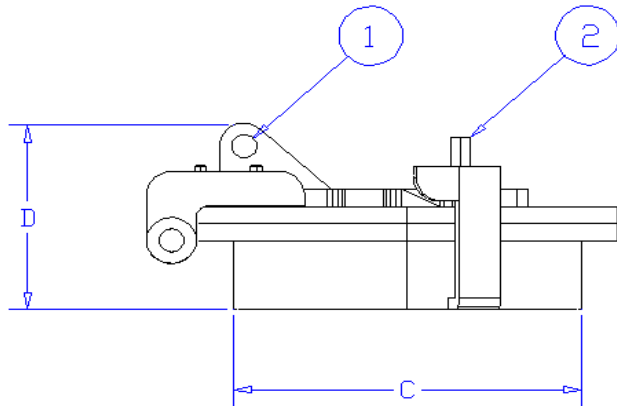




ALL METAL MANUFACTURING

14" DUMP GATE



FEATURES:

1. Hydraulic locking bracket
2. Threaded clamp downs
3. Tension plate

ALL METAL PART NUMBER	DIMENSIONS (in)			
	A	B	C	D
AM0014DG	19	19.5	14	8